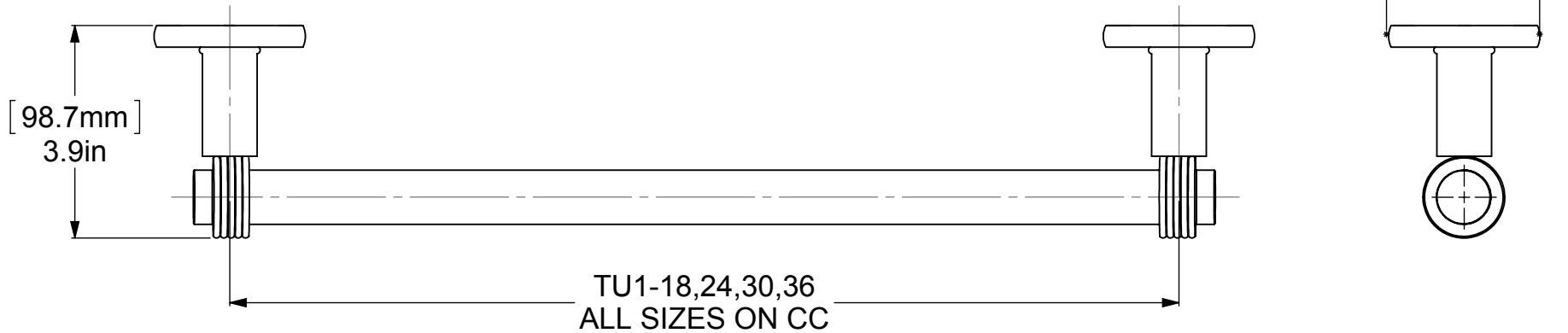
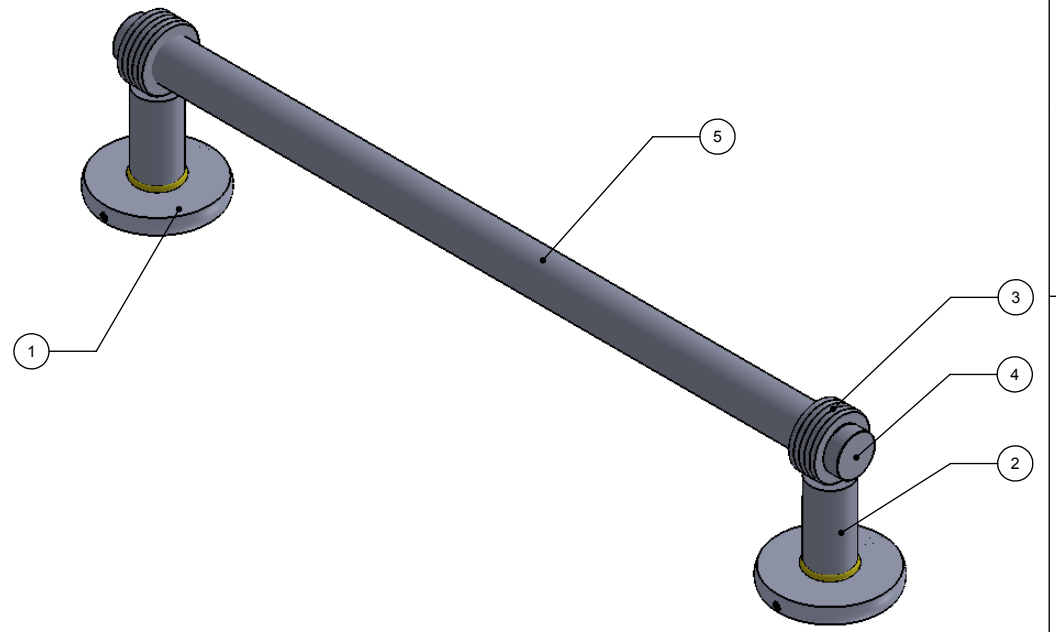


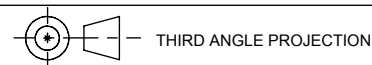
1	BPRD	BACKPLATE	2
2	TU1-2	SUPPORT	2
3	RGVVT	HUB	2
4	CARD-1	END CAP	2
5	TU1-18,24,30,36	TUBE	2



UNLESS OTHERWISE STATED


.X	±.3mm
.XX	±.15mm
.XXX	±.008mm

COPYRIGHT © Allied Brass 2016



DRAWN	3/30/2016	I.M
CHECKED	3/30/2016	P.D
APPROVED	3/30/2016	R.A

MATERIAL:	BRASS
DESCRIPTION:	TOWEL BAR



FINISH	TBD
QUANTITY	TBD
DRAWING No.	2051G
REV	0
SCALE	1:3
SHEET: 01	A4